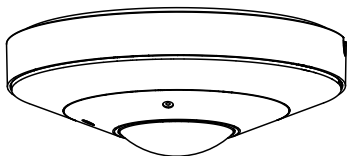


HD NETWORK FISHEYE CAMERA

QUICK START GUIDE



-
- Please read this instruction carefully before using the product and keep it for further reference.
 - All the examples and pictures used here are for reference only.
 - The contents of this manual are subject to change without notice.

1 Warning and Caution

- If the product does not work properly, please contact your dealer or the nearest service center. Never attempt to disassemble the camera yourself. (We shall not be responsible for any problems caused by unauthorized repair or maintenance.)
- Do not allow water or liquid intrusion into the camera.
- In the use of the product, you must be strict compliance with the electrical safety regulations of the nation and region. When the product is mounted on wall or ceiling, the device shall be firmly fixed.
- Do not use camera beyond specified voltage range.
- Do not drop the camera or subject it to physical shock.
- Do not directly touch the camera when installing.
- The product must be grounded to reduce the risk of electric shock.
- You must wear anti-static gloves or discharge static electricity before installing the camera.
- Avoid touching the camera lens.
- If cleaning is necessary, please use clean cloth to wipe it gently.
- Avoid aiming the camera directly towards the sun or other bright objects.
- Do not place the camera in extremely hot, cold (the operating temperature shall be $-30^{\circ}\text{C}\sim 60^{\circ}\text{C}$), dusty or damp locations, and do not expose it to high electromagnetic radiation.
- To avoid heat accumulation, good ventilation is required for operating environment.

2 Package



Camera



Quick start guide



Drill template



Water-proof connector kit



CD
(optional)

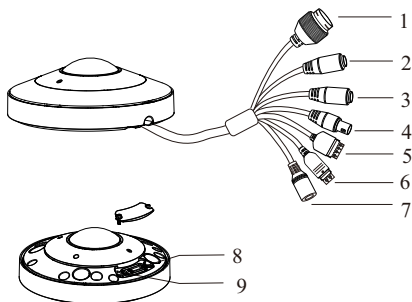


Tapping screws ×3

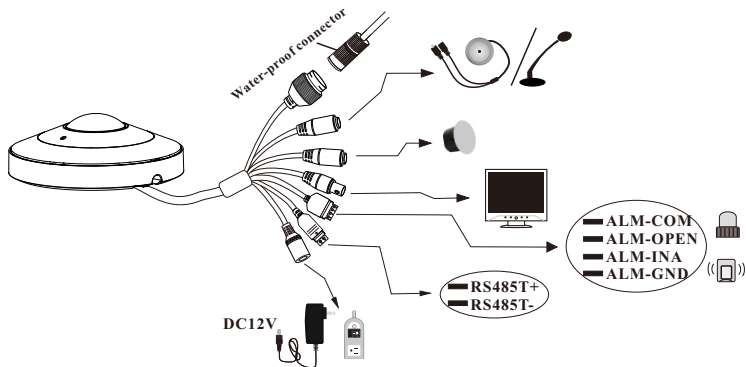


Plastic screw anchor × 3

3 Overview



- 1 Ethernet Connector
- 2 MIC-Audio Input
- 3 HP-Audio Output
- 4 Video Output
- 5 Alarm Input/Output
- 6 RS485
- 7 DC12V Power Supply
- 8 SD Card Slot
- 9 Reset

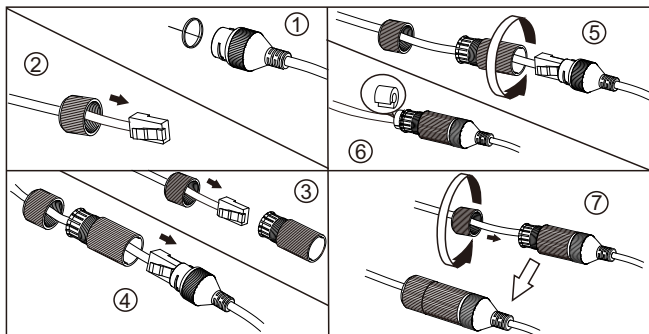


• Alarm Connection

Alarm Input: Join the grounding ends of the sensor and the camera and then connect the signal cable of the sensor to the alarm input port (ALM-INA) of the camera.

Alarm Output: Loosen the screws in the alarm output port. Then insert the signal wires of the alarm output devices into the port of COM and OPEN separately. Finally tighten the screws. Some of the external alarm output devices need the power supply.

• Connecting Network Cable



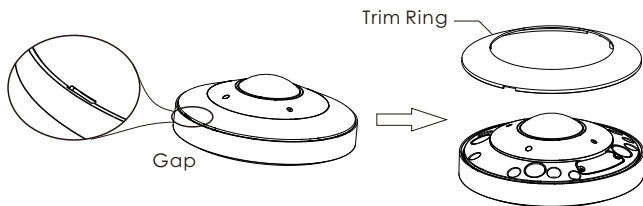
* If the RJ 45 connector of the network cable has a jacket and cannot be threaded through the kit, remove the jacket. If the jacket cannot be removed, cut off the connector and install an RJ 45 connector without the jacket.

4 Installation

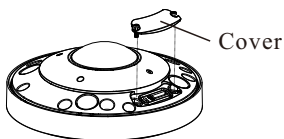
Please install and use the camera in a dry environment. You'd better install back the cover less than 4 hours after removing it.

• Install SD Card

① Remove the trim ring from the gap of the camera.



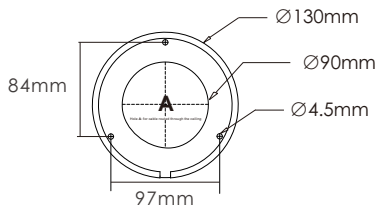
② Loosen the screws of the cover and then insert a micro SD card. After that, install the cover back.



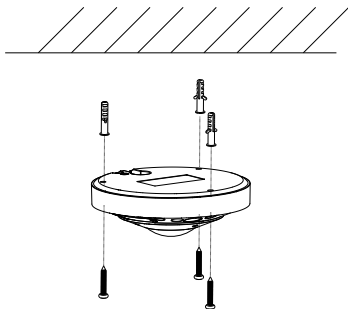
• Install Camera

Before installation, please make sure that the wall is strong enough to withstand 3 times the weight of the camera.

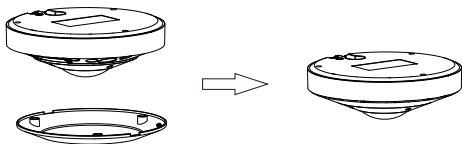
- ① Remove the trim ring from the gap of the camera (see Install SD Card ①).
- ② Drill the screw holes and cut the cable hole (A) in the ceiling according to the drill template.



- ③ Route and connect the cables.
- ④ Secure the camera to the wall with screws as shown below.



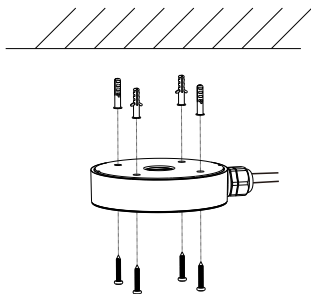
- ⑤ Install the trim fring back to the camera.



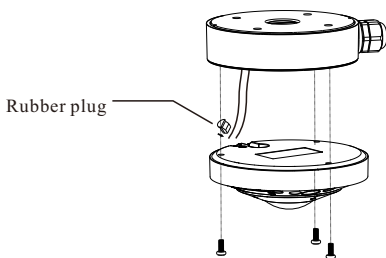
• Install Camera with Junction Box

- ① Remove the trim ring from the gap of the camera (see Install SD Card ①).

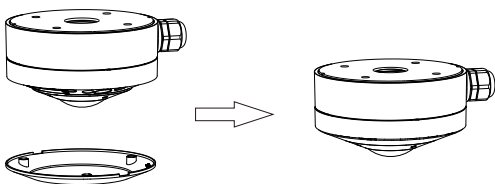
- ② Install the junction box onto the wall.



- ③ Route the cables through the cable hole (take side conduit cabling for example) and connect the cables. Then fasten the camera onto the junction box with screws.



- ④ Install the trim ring back to finish the installation.

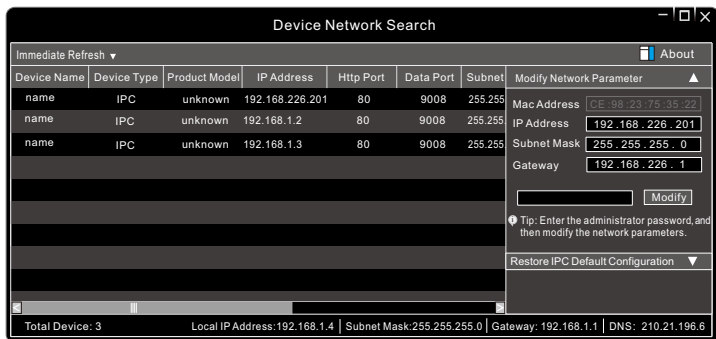


5 Network Connection

Here we take accessing the device via LAN for example.

● Access through IP-Tool

- ① Make sure that the camera and the PC are well connected to the LAN.
- ② Get the IP-Tool from the supplier and then install it in the computer. After that, run the IP-Tool as shown below.



- ③ Double-click the camera listed in the IP-Tool to connect IP camera. The default IP address of this camera is **192.168.226.201**.

Note: Please make sure the camera and the computer are in the same local network.

- ④ Read the privacy statement and then activate the device. The default username is **admin**. You need to self-define the password and set the security questions and answers. It is important for you to remember these answers, or you will not be able to reset your password.

⑤ Follow directions to download and install the plugin if prompted.

Available Web Browser: IE(plug-in required) /Google Chrome/
Firefox/Safari/Edge

It is recommended to use the latest version of the above browsers.